



3D wheel alignment system
with two cameras

Another step beyond

C 880



1



2



3



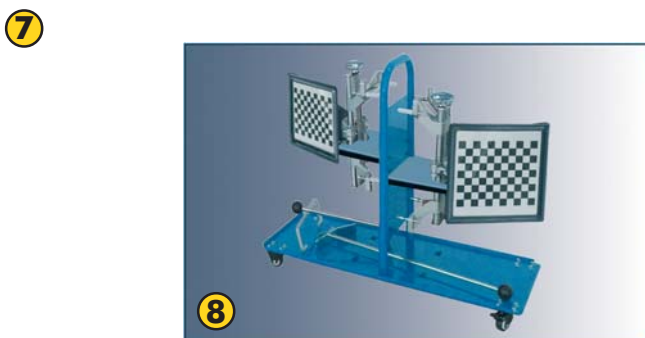
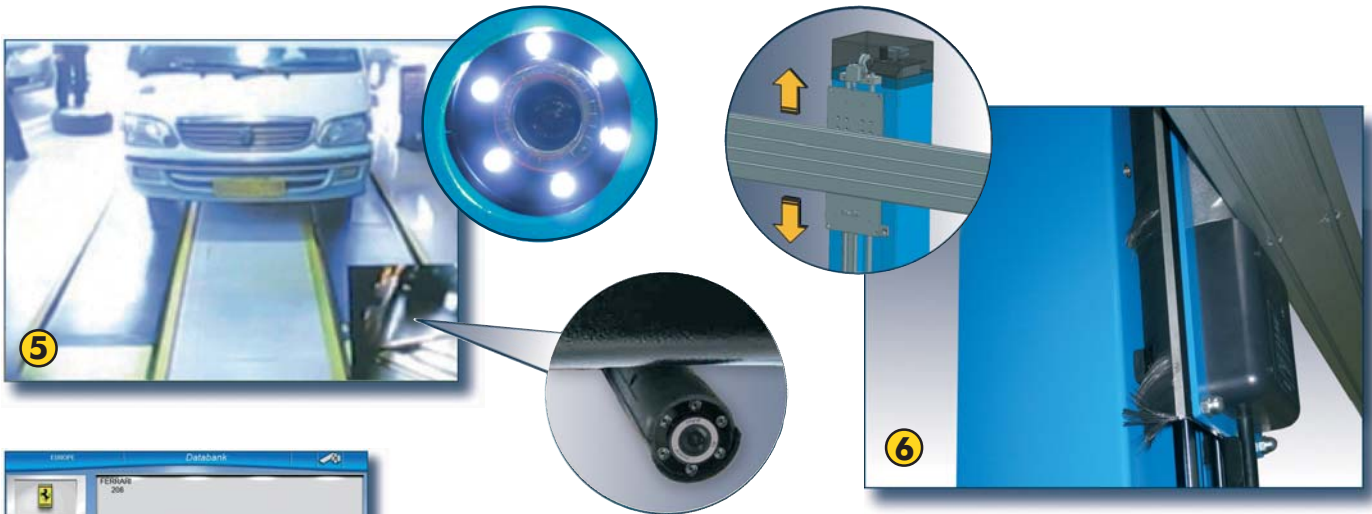
4

Main features

- ❑ **C 880** is a fast and reliable 3D wheel aligner with two cameras reading system. PC-based, developed on **Windows** OS, the user friendly software features quick and complete alignment measures, with live graphic indications and **0.01°** data display.
- ❑ **C 880 features** the rich International Data Bank and the well-known HPA-FAIP SW of all other aligners. A professional system based on the flexible HPA-FAIP traditional database and SW with icon-keys architecture.
- ❑ Developed with HPA-FAIP **design & know-how**, international quality components, EC standards, assembled in PRC.

Technical features

- ❑ **Instant readings:** HPA-FAIP graphics and user-friendly icon-based system for a fast access to all adjustment values in live mode
- ❑ **Easy system:** intuitive and simple graphics with hot-keys bar, full information axle adjustment in one summary page.
- ❑ **Support for the operator:** HELP on-line, step-by-step tutorial by images.
- ❑ Extensive international car-maker **Data Bank**, based on a practical **Regional division**: more than 40.000 multi-brand vehicle specs, covering nearly all models of past 40 years.
- ❑ **User Data Bank** to input new vehicle data & **Job record Data Bank**, to save and recall all customer/vehicle data.
- ❑ Complete **live chassis** measurement data.
- ❑ **Skip** and **Push-mode ROC** available, with screen live images and led indicators.
- ❑ Software & DB protected by **hardlock** system.
- ❑ **Factory pre-calibrated** camera beam for faster and easier installation and maintenance.
- ❑ **Set of holders** to storage clamps & targets in both column or wall mounting layout.
- ❑ **Compact dimensions** and flexible installation solutions: the ideal space-saving choice for every kind of layout.
- ❑ **Compatible with 4-posts lift** (2,950 m posts internal offset) and small workshop installation, the new camera beam allows small bay installation and a more flexible distance turntable/cameras.



Functional features

- 1. New generation camera** with high resolution HiQ lenses, factory pre-calibrated. Complete with led indicators to guide the operator during the measuring process: more comfort and working time reduction!
- Light and small set of four **passive targets** without electronics, for improved durability, assembled together with **11"-21"** 4-point clamps (up to 25" with standard set of adaptors).
- Operative console with compact **PC housing**; comfortable metal worktop for keyboard and printer.
- Pair of mechanical **turntables** and **adaptors** for push-mode ROC procedure supplied as standard.
- Drive-On assistant with **two cameras** system for easy vehicle positioning in the working bay (optional).
- Motorized beam device (**CM - camera movement**) for smooth camera positioning "in range" through the keyboard (page up/down), also during alignment procedure (optional). This device is available in selected countries only.
- Alignment software** with intuitive hot-keys selection and guided procedures.
Plus for users: Icon-based C-Series software - Complete International C-Series database - Live adjustment values - Colour printout - Live chassis measurements - Tutor on-line.
- Smart **trolley** for clamp & target holders (optional).

Technical data

<input type="checkbox"/> Measuring ranges:	
- Total toe	± 20°
- Camber	± 10°
- Caster	± 30°
- King Pin angle.....	± 30°
- Thrust angle	± 10°
- Steering difference at 20°	± 10°
<input type="checkbox"/> Power supply:	115/230 Vac - 50/60 Hz - 1 Ph
<input type="checkbox"/> Packaging dimensions:	
- Beam	2980 x 250 x 420 mm - 40 kg
- Column.....	1735 x 590 x 305 mm - 92 kg
- Other componentsn	1065 x 1065 x 780 mm - 120 kg
- Calibration set in wheeled trolley	1020 x 670 x 270 mm - 27 kg

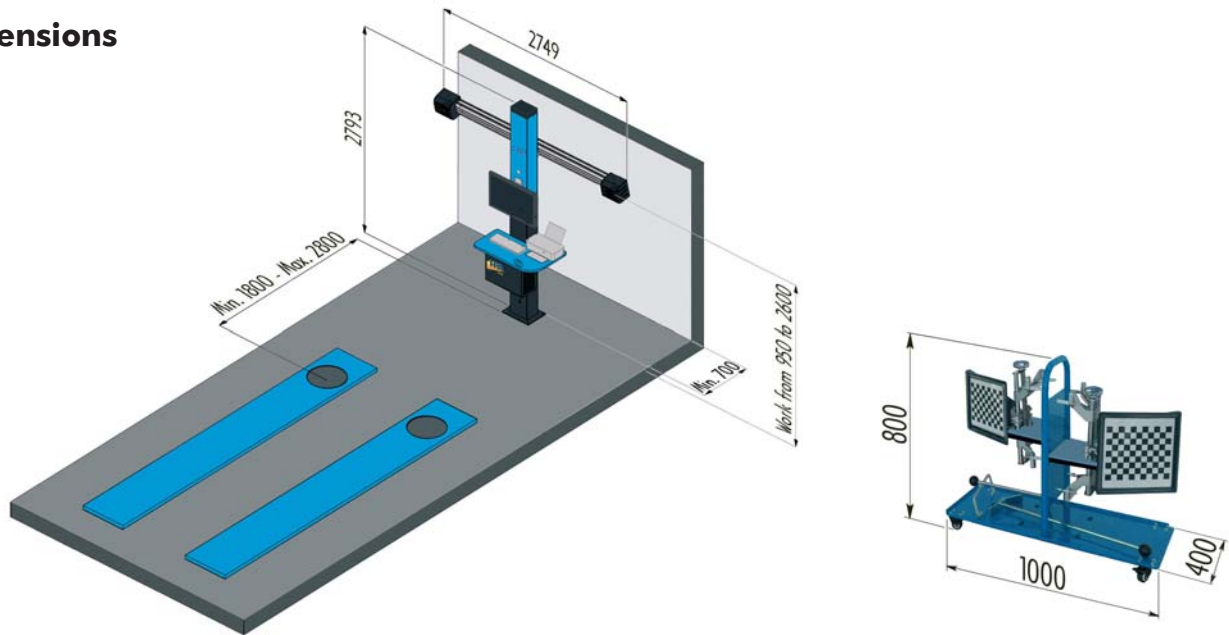
Standard configuration

- Camera beam, installed and calibrated.
- Main column complete with PC box holder and worktop for keyboard, mouse and printer.
- Complete set (4 pcs.) of 11" to 21" clamps (including 25" increasing adaptor set).
- Complete set (4 pcs.) of HiRs passive targets.
- Pair of mechanical turntables with ROC adaptors.
- Brake pedal depressor and Steering wheel holder.
- Set of holders for 4-point clamps with targets.
- Operator's instruction manual and Spare parts booklet.

Optional accessories

- 8-34900020** CM motorized beam.
- 8-34900018** Trolley for clamp and target holder.
- 8-34900021** Lift Drive-On assistant with remote cameras.
- 8-34900011** Complete Calibrator 2.0 for calibration and maintenance.
- 8-34120000** 27" LED Monitor.
- 8-21100234** 22" LED/LCD Monitor.

Dimensions



Available in selected countries only.



NEXION MACHINERY EQUIPMENT MANUFACTURING (SUZHOU) CO., LTD
 纳可信机械设备制造（苏州）有限公司
 ADD: Unit 2 No. 19 XiangPu Road, Suzhou Industrial Park, China.
 苏州工业园区翔浦路 19 号 2 单元
 TEL: +86 512 69367880 - FAX: +86 512 69367881
 info@hpa-faip.com - www.hpa-faip.cn